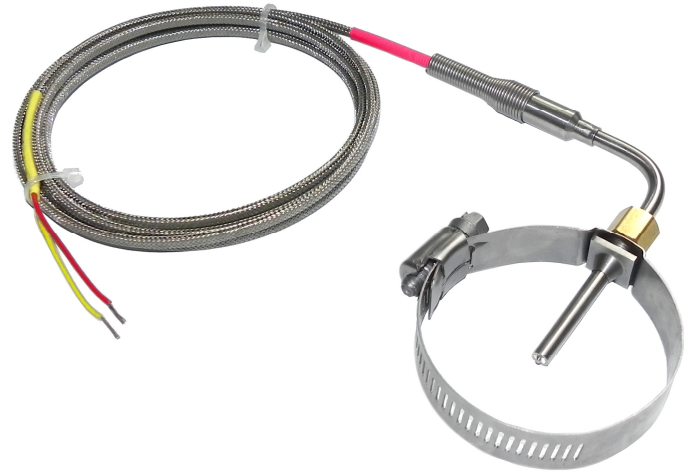


Exhaust Temperature Probe - 90° Bend - 3/16" OD - Muffler Clamp

Fast Response EGT Temperature Probe

- Type K thermocouple probe
- Exposed sensing junction for fastest response
- Includes stainless steel muffler clamp fitting
- Stainless steel protected wires
- Designed for engine test & racing environments



Specifications

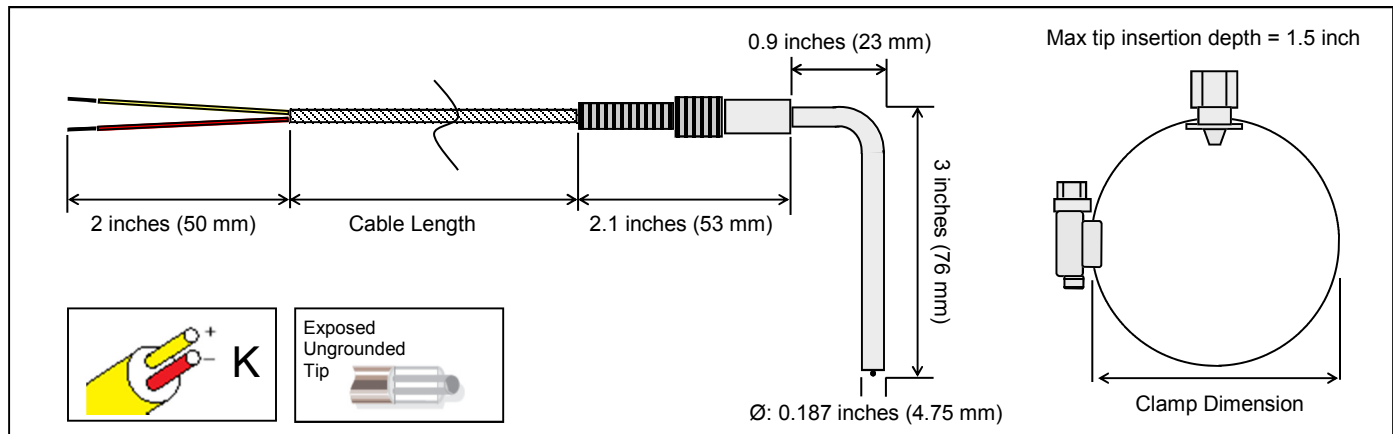
Thermocouple type: K
 Range: -148 to 2372°F (-100 to 1300°C)
 Accuracy: +/-0.4% of reading or about +/- 1.1°C
 (Special Limits of Error)

Probe diameter: 3/16 inch (0.187 inch) (4.75 mm)
 Sensing Junction: Exposed, Ungrounded
 Response Time*: 250 mS
 *Time Constant: Defined as the time required to reach 63.2% of an instantaneous temperature change
 Five time constants are required to approach 100% of the step change value

Outer Sheath Material: Inconel, melting point 2550°F (1400°C)

Cable: Stainless steel overbraiding over Teflon™ insulated, stranded wires, 20 gage

Muffler Clamp Fitting: Default: Steel, adjustable from 1.5 ~ 2.5 inch (38 ~ 63 mm) - other sizes upon request



Ordering Information

Model	Cable Length			Connector
EGT-MP	- □ □ □	-0000	-SS	- □
	072 72 inches			N No connector
	144 144 inches			MP Male mini-plug
	300 300 inches			SP Standard plug

Ordering Example

EGT-MP-072-0000-SS-N: 72 inch long cable, Type K thermocouple, no connector

Clamp Dimension

	Smallest	Largest
Extra Small	19 mm (0.75 inch)	38 mm (1.5 inch)
Small	38 mm (1.5 inch)	63 mm (2.5 inch)
Medium	58 mm (2.3 inch)	81 mm (3.2 inch)
Large	84 mm (3.3 inch)	106 mm (4.2 inch)