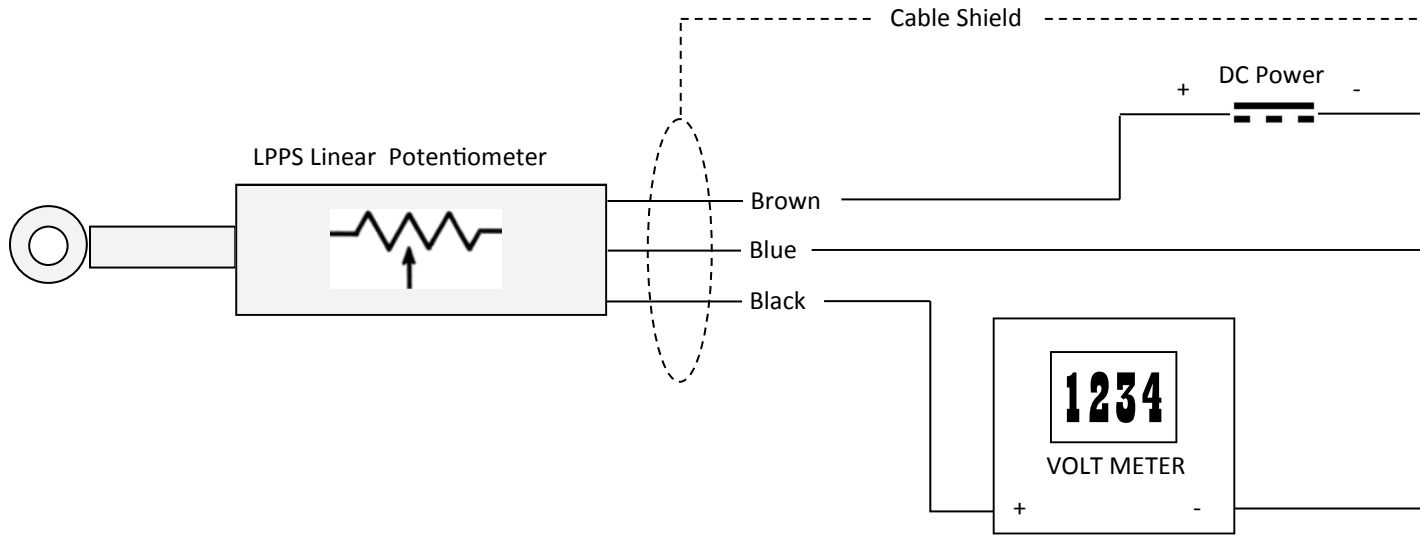


LPPS Wiring Schematic Examples:

Example #1: Connecting to a Volt Meter



Example #2: Connecting to a model PMD1XT Series LED Panel Meter

