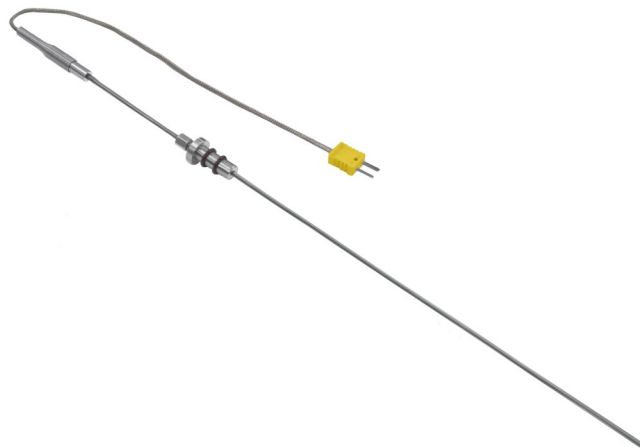


Oil Dipstick Thermocouple Probe Assembly

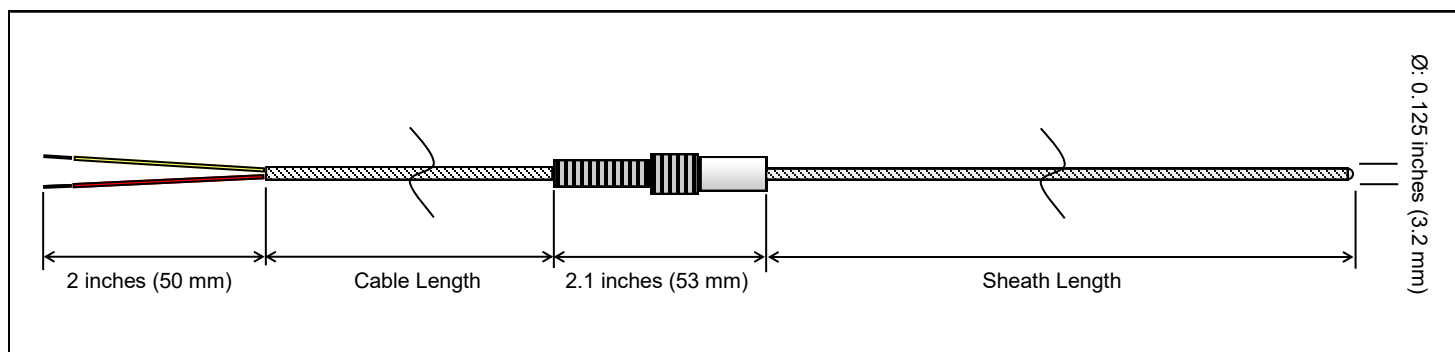
Ruggedized Oil Temperature Probe

- Type E, J, K, or T thermocouple
- Probe is bendable
- Includes adjustable fitting
- Measure Oil, Water, & Transmission fluid temperatures
- Designed for engine test & racing environments



Specifications

Thermocouple type: E, J, K or T
 Accuracy: +/-0.4% of reading or about +/- 1.1°C (Special Limits of Error)
 Measuring Range: (E = -328 to 1600°F) (J = 32 to 1400°F) (K = -328 to 2300°F) (T = -328 to 700°F)
 Probe diameter: 0.125 inch (3.2 mm)
 Sensing Junction: Enclosed, Ungrounded
 Response Time*: 600 mS
 *Time Constant: Defined as the time required to reach 63.2% of an instantaneous temperature change
 Five time constants are required to approach 100% of the step change value
 Cable: Stainless Steel overbraided, Teflon™ insulated, stranded wires, 24 gage



Ordering Information

Model	Cable Length	Sheath Length	Sheath Material	Calibration	Connector
ODTC-	- □□□	- □□	- □□	- □	- □□
	012 12 inches 072 72 inches 144 144 inches 300 300 inches	10 10 inches up to 50 50 inches	IN Inconel 600 S4 304 Stainless	E Type E J Type J K Type K T Type T	N No connector MP Male mini-plug SP Standard plug

Ordering Example

ODTC-012-36-IN-K-MP: 12 inch long cable, 36 inch sheath, Inconel sheath, Type K thermocouple, Male mini-plug connector

CUSTOM CONFIGURATIONS AVAILABLE



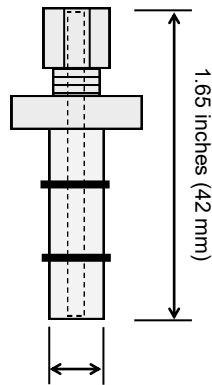
Oil Dipstick Thermocouple Probe - Fittings

Fittings for Oil Dipstick Temperature Probe

- 3 fitting sizes available
- Dual O-Ring
- Includes Teflon ferrule
- Fitting made from stainless steel
- Designed for engine test & racing environments

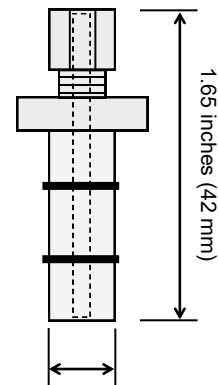


For Tubes of 0.29 inch and larger ID
p/n: *ODTC-.125-B3-.290-ST*



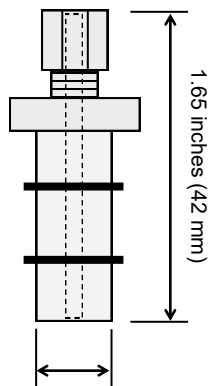
Ø: 0.29 inches (7.4 mm)

For Tubes of 0.36 inch and larger ID
p/n: *ODTC-.125-B2-.355-ST*



Ø: 0.36 inches (9.1 mm)

For Tubes of 0.40 inch and larger ID
p/n: *ODTC-.125-B1-.406-ST*



Ø: 0.40 inches (10.1 mm)

