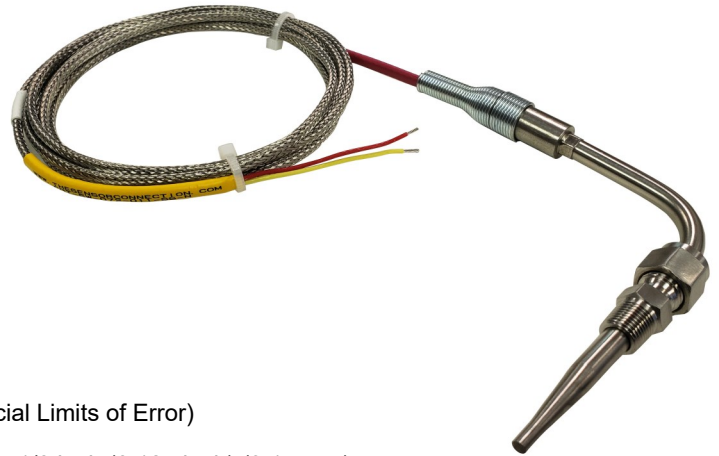


Diesel Exhaust Temperature Probe - 90° Bend - 1/4" O.D.

Swaged Diesel EGT Temperature Probe

- Type K thermocouple probe
- Enclosed sensing junction for maximum longevity
- Includes 316 SS adjustable compression fitting
- Stainless steel protected wires
- Designed for engine test & racing environments



Specifications

Thermocouple type: K
 Range: -148 to 2372°F (-100 to 1300°C)
 Accuracy: +/-0.4% of reading or about +/- 1.1°C (Special Limits of Error)

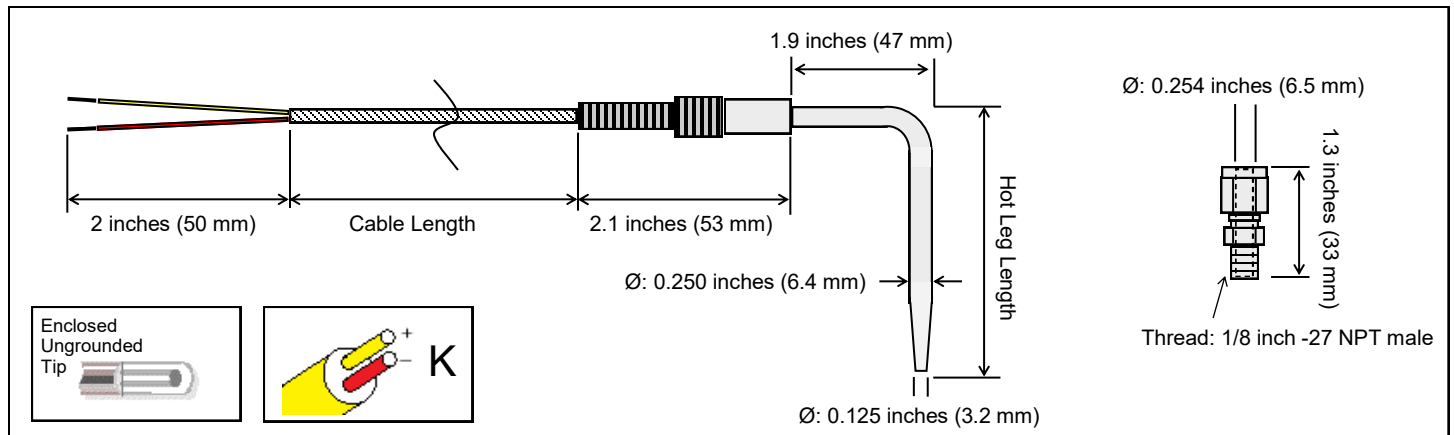
Probe diameter: 1/4 inch (0.250 inch) (6.35 mm) - Swaged to 1/8 inch (0.125 inch) (3.17 mm)
 Sensing Junction: Enclosed, Ungrounded
 Response Time*: 500 mS
 *Time Constant: Defined as the time required to reach 63.2% of an instantaneous temperature change
 Five time constants are required to approach 100% of the step change value

Outer Sheath Material: Inconel, melting point 2550°F (1400°C)

Cable: Stainless steel overbraiding over Teflon™ insulated, stranded wires, 20 gage, rated to 400°F (204°C)

Compression Fitting: 316 stainless steel, adjustable, 1/8 inch -27 NPT male thread

Wiring: + = Yellow - = Red



Ordering Information

Model	Cable Length	Hot Leg Length	Material	Connector
EGT-SW	-□□□	-0 □ 11	-SS	-□
	072 72 inches	0 3.5 inches		N No connector
	180 180 inches	5 5 inches		MP Male mini-plug
	300 300 inches	6 6 inches		SP Standard plug

Max Tip Insertion Depth

Hot Leg Length	Max Tip Insertion Depth
3.5 inches	1.5 inches
5 inches	3.0 inches
6 inches	4.0 inches

Ordering Example

EGT-SW-072-0011-SS-N: 72 inch long cable, 3.5" Hot Leg, no connector