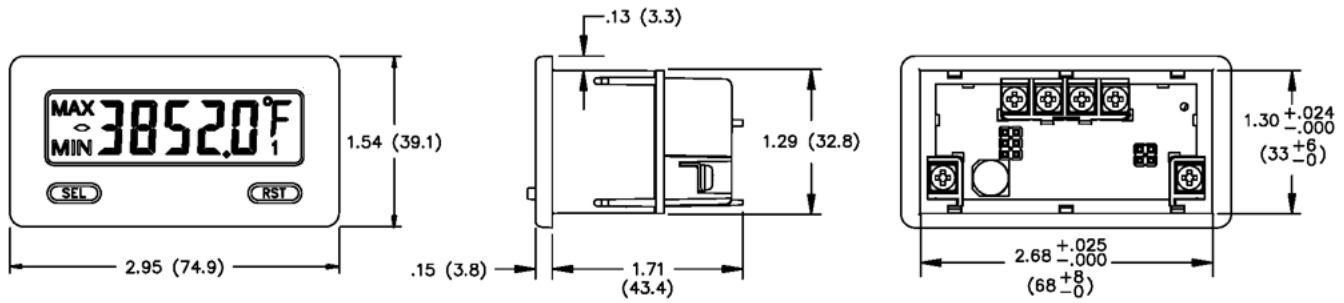


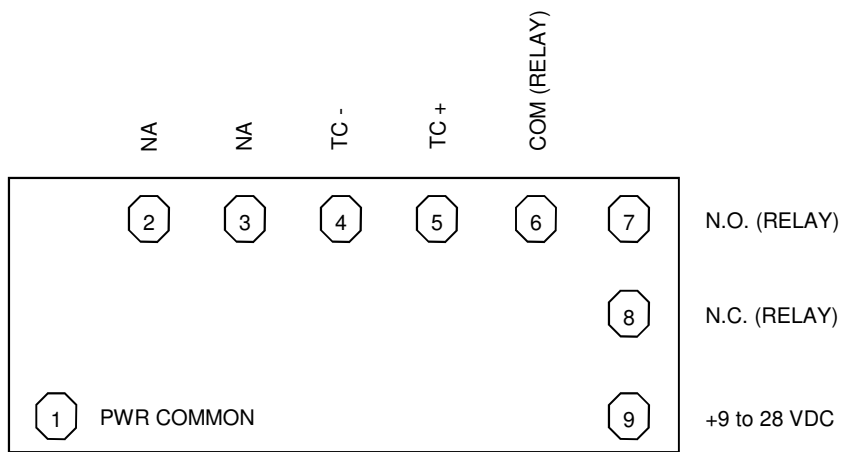
PMDW-RLC5TCBB1 Outline Dimensions & Wiring Instructions

Dimension Drawing



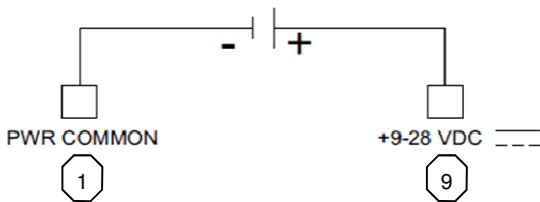
Wiring Overview

- 1 Power Supply Common
- 2 NA (Not Used)
- 3 NA (Not Used)
- 4 TC Probe Input - (RED wire)
- 5 TC Probe Input + (YELLOW wire)
- 6 Relay Common
- 7 Relay (Normally CLOSED)
- 8 Relay (Normally OPEN)
- 9 Power Supply + (+9 to 28 VDC)

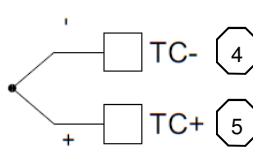


Wiring the Meter

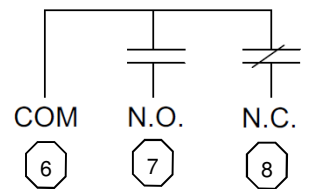
Power Wiring



Input Wiring



Relay Wiring



The Sensor Connection

55 East Long Lake Road, #505
 Troy, MI 48085
 Phone: 248-636-1515
 Fax: 248-636-4969
 Email: Sales@TheSensorConnection.com

Buzzer Wiring

