

# TEMPERATURE SENSOR

## 2-STROKE EXHAUST TEMPERATURE PROBE - 90 DEGREE BEND

EGT Temperature Probe for 2-Stroke Engines

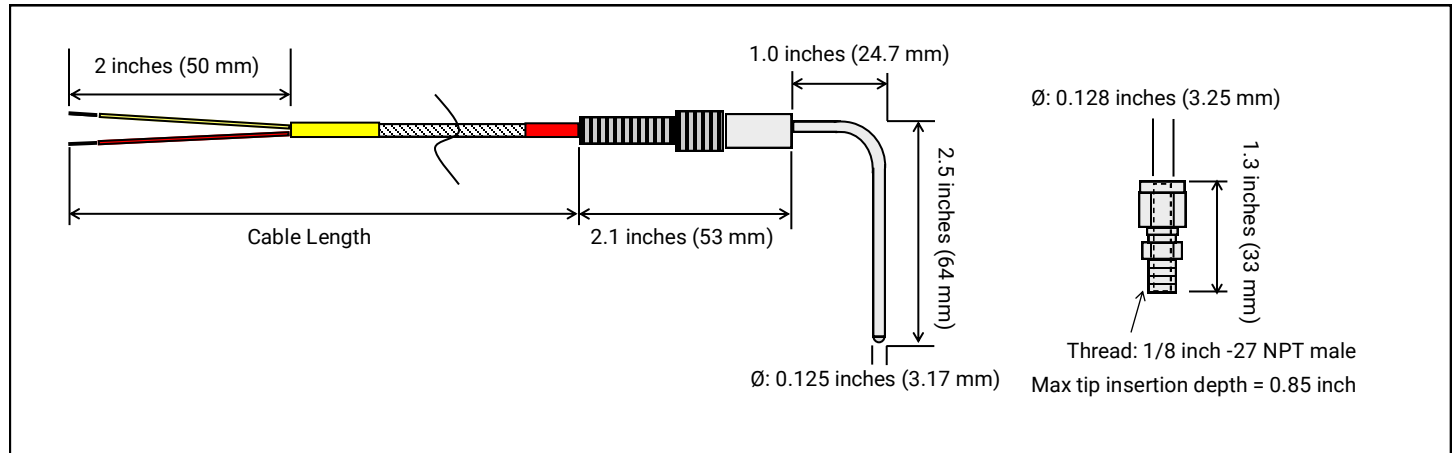
### FEATURES

- Type K thermocouple probe
- Enclosed anti-fouling sensing junction
- Includes 316 SS adjustable compression fitting
- Stainless steel protected wires
- Designed for optimal performance in 2-stroke engines



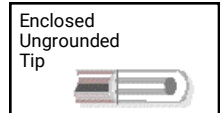
### SPECIFICATIONS

**Thermocouple type:** K  
**Range:** -148 to 2372°F (-100 to 1300°C)  
**Accuracy:** +/-0.4% of reading or about +/- 1.1°C (Special Limits of Error)  
**Probe diameter:** 0.090 inch (2.3 mm)  
**Sensing Junction:** Enclosed, Ungrounded  
**Response Time\*:** 550 mS  
**\*Time Constant:** Defined as the time required to reach 63.2% of an Instantaneous temperature change. Five time constants are required to approach 100% of the step change value  
**Outer Sheath Material:** Inconel, melting point 2550°F (1400°C)  
**Cable:** Stainless steel overbraiding over Teflon™ insulated, stranded wires, 20 gage, rated to  
**Compression Fitting:** 316 stainless steel, adjustable, 1/8 inch -27 NPT male thread  
**Wiring:** + = Yellow - = Red



### ORDERING INFORMATION

Model	Cable Length			Connector
EGT-2S	-□□□	-0251	-SS	-□
	072 72 inches 144 144 inches 300 300 inches			N No connector MP Male mini-plug SP Standard plug



### EXAMPLE

EGT-2S-072-0251-SS-N: 72 inch long cable, Type K thermocouple, no connector

