

# TEMPERATURE SENSOR

## EXHAUST TEMPERATURE PROBE 90° BEND - 3/16" O.D.

Fast Response Compact EGT Probe

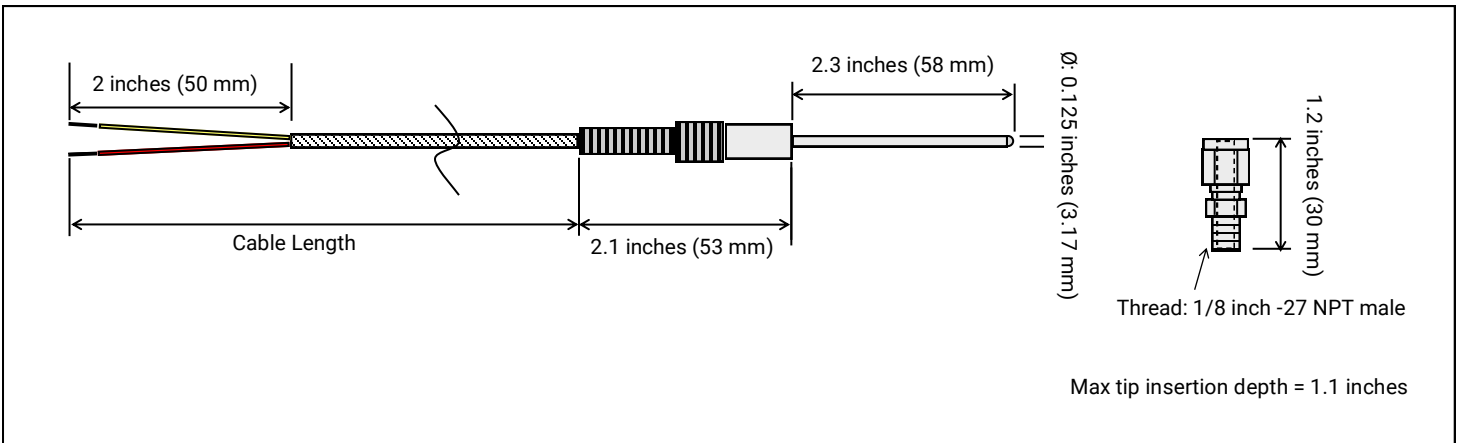
### FEATURES

- Type K thermocouple probe
- Enclosed sensing junction for maximum longevity
- Includes 316 SS adjustable compression fitting
- Stainless steel protected wires
- Designed for engine test & racing environments



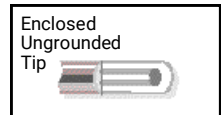
### SPECIFICATIONS

<b>Thermocouple type:</b>	K
<b>Range:</b>	-148 to 2372°F (-100 to 1300°C)
<b>Accuracy:</b>	+/-0.4% of reading or about +/- 1.1°C (Special Limits of Error)
<b>Probe diameter:</b>	1/8 inch (0.125 inch) (3.17 mm)
<b>Sensing Junction:</b>	Enclosed, Ungrounded
<b>Response Time*:</b>	550 mS
<b>*Time Constant:</b>	Defined as the time required to reach 63.2% of an Instantaneous temperature change. Five time constants are required to approach 100% of the step change value
<b>Outer Sheath Material:</b>	Inconel, melting point 2550°F (1400°C)
<b>Cable:</b>	Stainless steel overbraiding over Teflon™ insulated, stranded wires, 20 gage
<b>Compression Fitting:</b>	316 stainless steel, double ferrule, adjustable, 1/8 inch -27 NPT male thread
<b>Wiring:</b>	+ = Yellow - = Red



### ORDERING INFORMATION

Model	Cable Length			Connector
EGT-CP	-□□□	-S211	-SS	-□
	072 72 inches 144 144 inches 300 300 inches			N No connector MP Male mini-plug SP Standard plug



### EXAMPLE

EGT-CP-072-S211-SS-N: 72 inch long cable, Type K thermocouple, no connector

