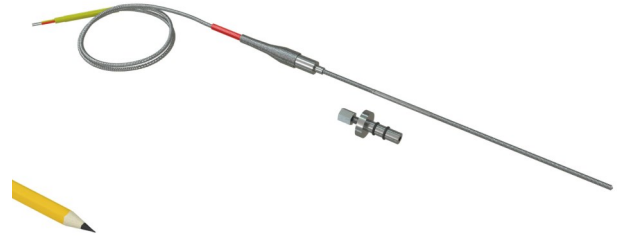


OIL DIPSTICK THERMOCOUPLE PROBE ASSEMBLY

Ruggedized Oil Temperature Probe

FEATURES

- Type J, K, or T thermocouple
- Embed cone tip into material (using insertion tool)
- Made in the USA
- Fiberglass or Teflon insulated wires
- Designed for research & development applications

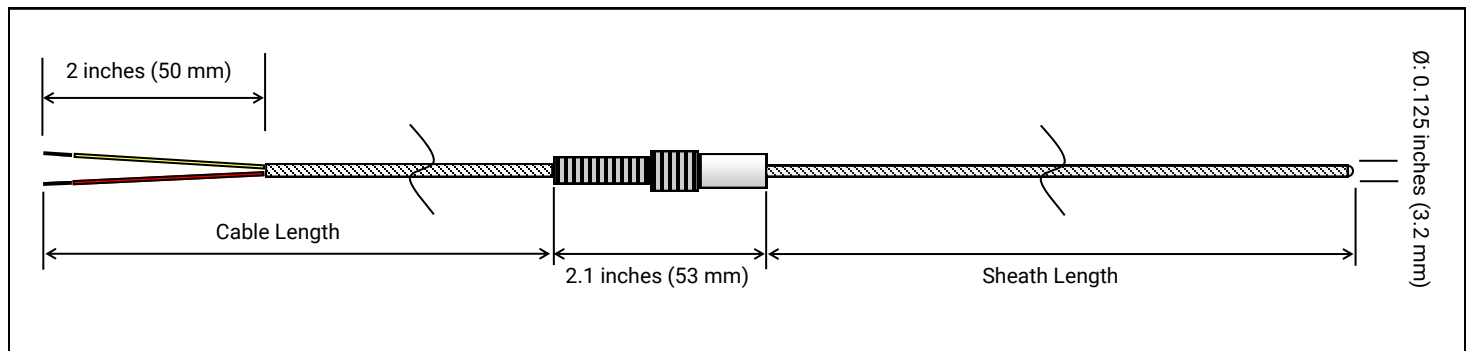


SPECIFICATIONS

Thermocouple type: E, J, K or T
Accuracy: +/-0.4% of reading or about +/- 1.1°C (Special Limits of Error)
Measuring Range: (E = -328 to 1600°F) (J = 32 to 1400°F) (K = -328 to 2300°F) (T = -328 to 700°F)

Probe diameter: 0.125 inch (3.2 mm)
Sensing Junction: Enclosed, Ungrounded
Response Time*: 600 mS
***Time Constant:** Defined as the time required to reach 63.2% of an instantaneous temperature change
 Five time constants are required to approach 100% of the step change value

Cable: Stainless Steel overbraided, Teflon™ insulated, stranded wires, 24 gage



ORDERING INFORMATION

Model	Cable Length	Sheath Length	Sheath Material	Calibration	Connector
ODTC-	- □□□	- □□	- □□	- □	- □□
	012 12 inches 072 72 inches 144 144 inches 300 300 inches	10 10 inches up to 50 50 inches	IN Inconel 600 S4 304 Stainless	E Type E J Type J K Type K T Type T	N No connector MP Male mini-plug SP Standard plug

EXAMPLE

ODTC-012-36-IN-K-MP: 12 inch long cable, 36 inch sheath, Inconel sheath, Type K thermocouple, Male mini-plug connector

CUSTOM CONFIGURATIONS AVAILABLE



TEMPERATURE SENSOR

OIL DIPSTICK THERMOCOUPLE PROBE ASSEMBLY

Ruggedized Oil Temperature Probe

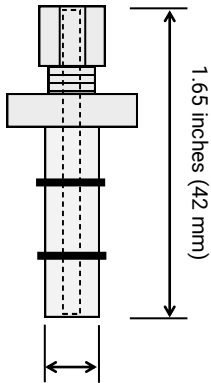
FEATURES

- 3 fitting sizes available
- Dual O-Ring
- Includes Teflon ferrule
- Fitting made from stainless steel
- Designed for engine test & racing environments



For Tubes of 0.29 inch and larger ID

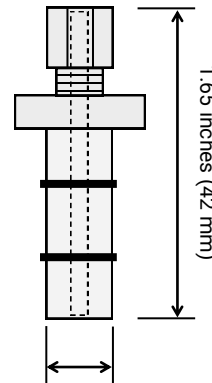
p/n: ODTc-.125-B3-.290-ST



Ø: 0.29 inches (7.4 mm)

For Tubes of 0.36 inch and larger ID

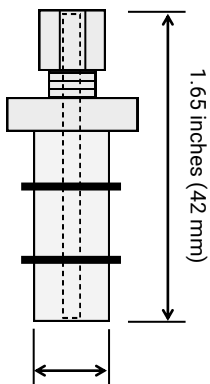
p/n: ODTc-.125-B2-.355-ST



Ø: 0.36 inches (9.1 mm)

For Tubes of 0.40 inch and larger ID

p/n: ODTc-.125-B1-.406-ST



Ø: 0.40 inches (10.1 mm)

